

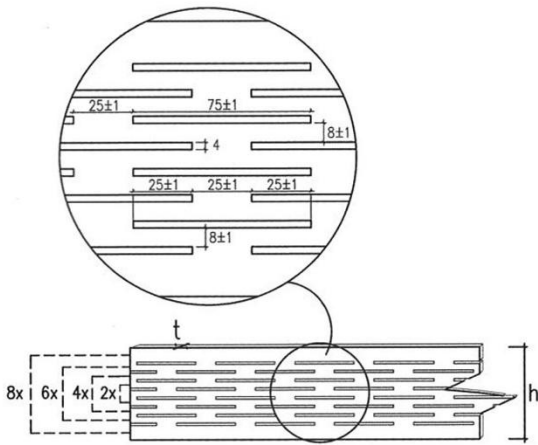


Variety and
quality!

ADDITIONAL OPTIONS

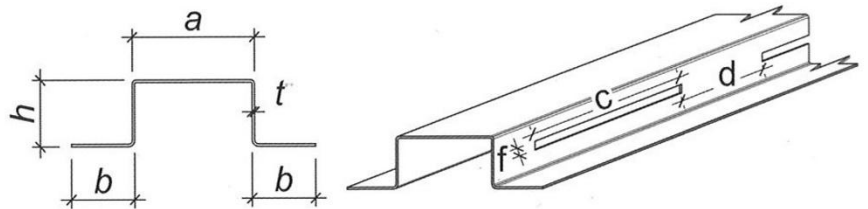
TERMO LINE

Z, C, U-profiles:
 $h \geq 100 \text{ mm}$; $t \leq 2 \text{ mm}$



VENTILATED PROFILES

VHAT thickness: $t \leq 1.5 \text{ mm}$
 Dimensions: $a=52 \text{ mm}$; $h=32 \text{ mm}$; $b \sim 22 \text{ mm}$



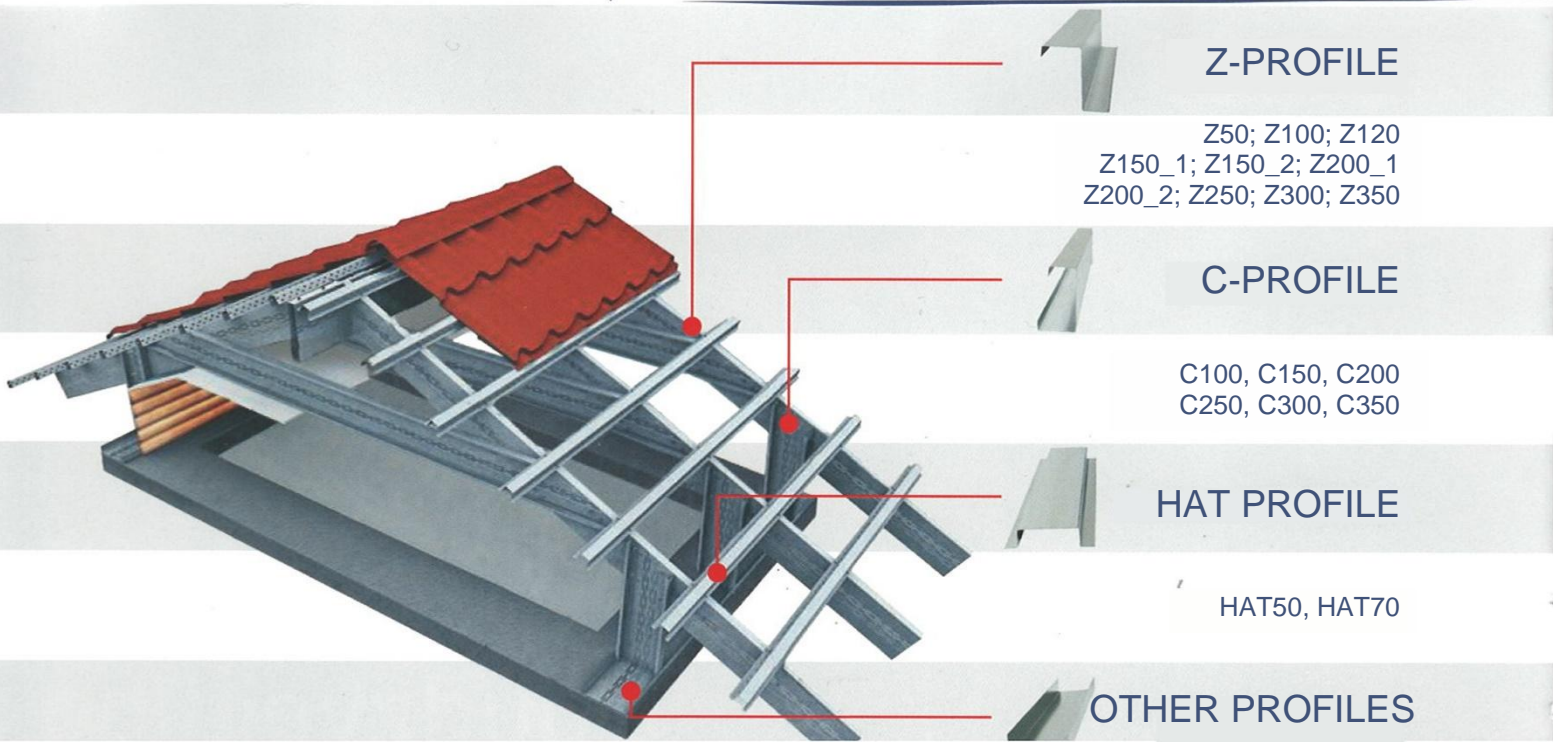
Installation holes for structural profiles

No more than 6 rows combined

- D8 X 2 pcs
 - D10 X 2 pcs
 - D14 X 4 pcs
 - D16 X 4 pcs
 - D18 X 4 pcs
 - D14 X 20 X 2 pcs
 - D19 X 25 X 2 pcs
- (horizontal or vertical)

Unlimited number of holes per row

MATERIAL: S350GD+Zn275
 PRODUCTION PROCESS CONTROLS
 CERTIFICATE No. 2518-CPR-1090-1.00004.SC.2014.001



Z-PROFILE

Z50; Z100; Z120
 Z150_1; Z150_2; Z200_1
 Z200_2; Z250; Z300; Z350

C-PROFILE

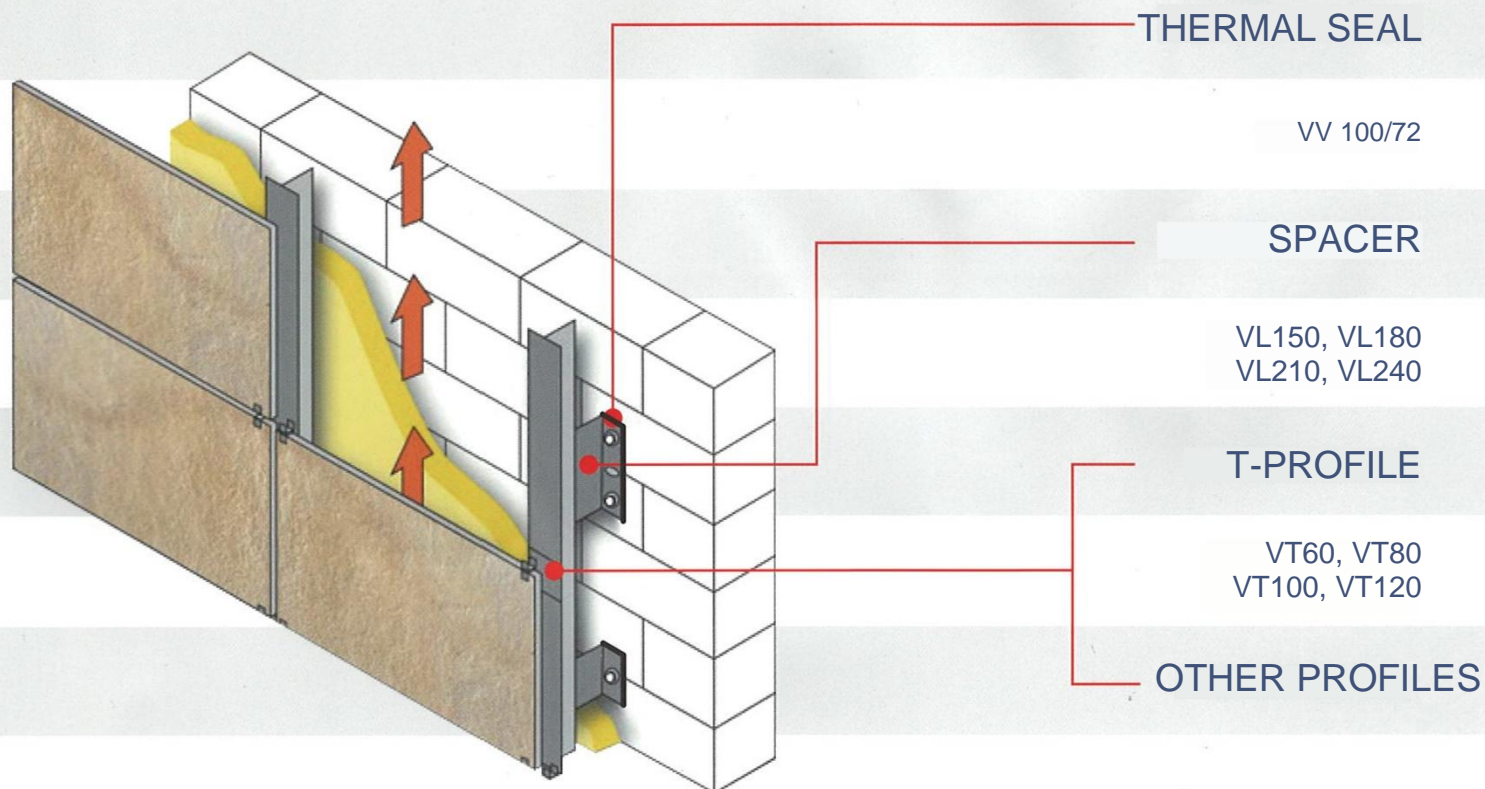
C100, C150, C200
 C250, C300, C350

HAT PROFILE

HAT50, HAT70

OTHER PROFILES

VENTILATED FACADES



ROOF AND WALL LINING



VENEZIA

VNZ

Covered width 1120 mm

Full width 1188 mm

Sheet length max. 9.5 m

Material: PE; PUR; MPE



VILO

VIL

Covered width 1100 mm

Full width 1180 mm

Sheet length max. 9.5 m

Material: PE; PUR; MPE



LUXOR

LUX

Covered width 1100 mm

Full width 1180 mm

Sheet length max. 9.5 m

Material: PE; PUR; MPE



MMR20 MM20

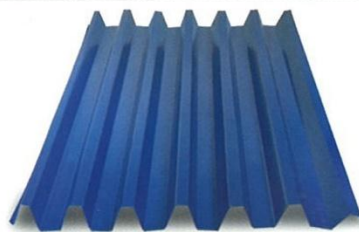
MMR20, and MM20 for walls

Covered width 1100 mm

Full width 1160 mm

Sheet length max. 10 m

Material: PE; PUR; MPE; MPUR; ZN



MMRN45/MMN45

MMR45, and MM45 for walls

Covered width 1020 mm

Full width 1040 mm

Sheet length max. 9.5 m

Material: PE; PUR; MPE; MPUR; ZN



SOLO click profile

SOLO 485/SOLO 280

Covered width 485/280 mm

Sheet length max. 10.2 m

Material: PE; PUR; MPE; MPUR; ZN



Valc profile

VALC

Cover width 545 mm

Sheet length max. 9.5 m

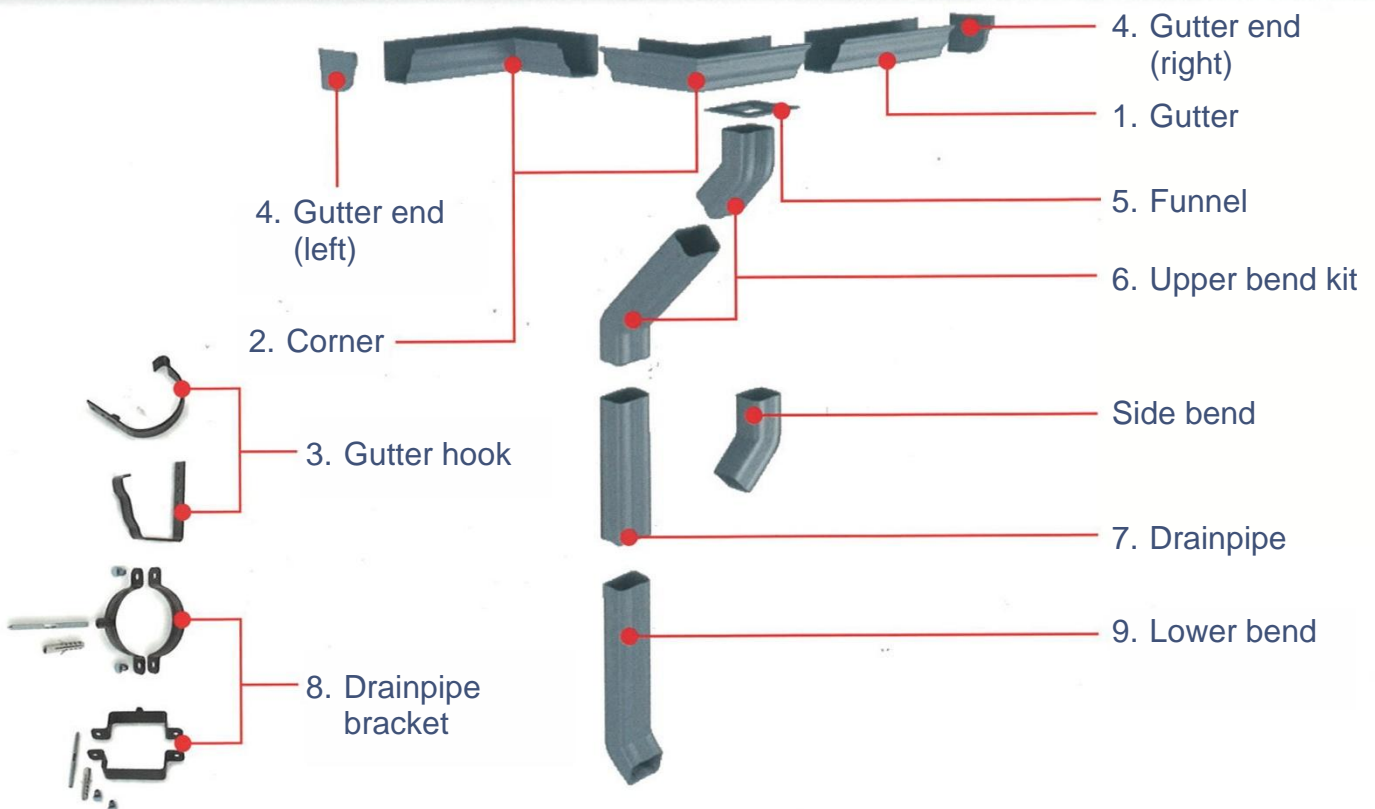
Material: PE; PUR; MPE; MPUR; ZN


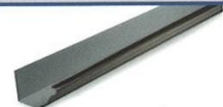
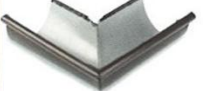
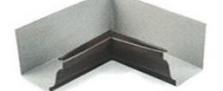














COLOUR PROFILES



* Colours shown for information purposes only

WATER DRAINAGE SYSTEMS



	Round	Profiled
1. Gutter		
2. Corner (outer/inner)		
3. Gutter hook		
4. Gutter end (right/left)		
5. Funnel		
6. Upper bend kit		
7. Drainpipe		
8. Drainpipe bracket		
9. Lower bend		

Type	115 mm	140 mm
a	142	156
b	74	88
c	72	84

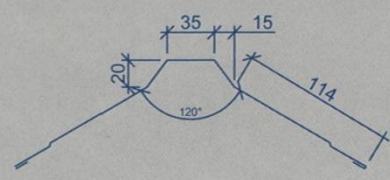
Dimensions	115 mm	140 mm
d	99	137
e	83	98
f	86	137
g	127	152

D=	87	100	120	140
b	80			
c	100			

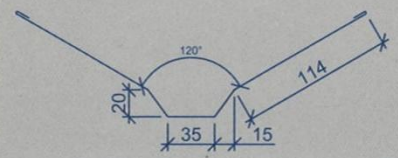
ROOF PARTS



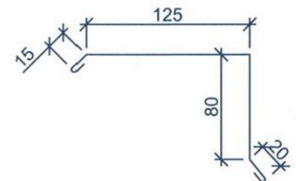
1. Ridge



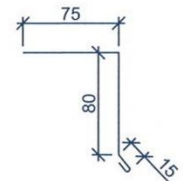
2. Drain



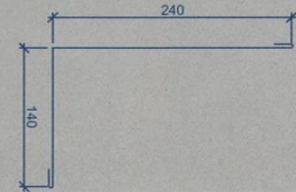
3. Wind deflector



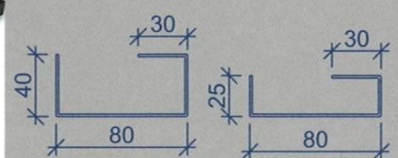
4. Ledge



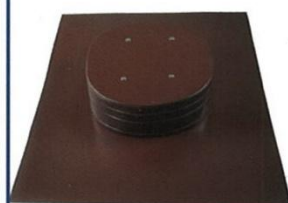
5. Flange



6. Sub-ridges



7. Snow barriers



8. Hatch

